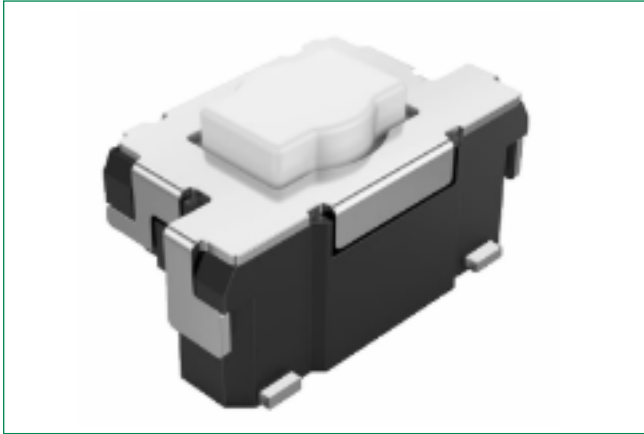


TS-1123 (L-shaped recessed type)

6x3.5x3.0 mm SMT side Actuated Tactile



Specifications

Function	Momentary action
Contact Arrangement	1 make contact = SPST NO
Terminals	SMT Termination
Travel	0.2 ± 0.1 mm
Life cycle	100,000 cycles

Electrical Characteristics

Max. Voltage	15 VDC
Max. Current DC	20 mA
Contact Resistance	100 mΩ
Insulation Resistance	100 MΩ min
Dielectric Voltage	AC 250V

Environmental Characteristics

Operating Temperature	-40°C to 85°C
Storage Temperature	-40°C to 85°C

Process

Soldering	This component is suited to the following methods: Infrared Reflow Soldering in accordance with IEC61760-1
Packaging	2,500 pieces per reel

Notes:
The PTS series is not certified for using in Automotive application and no PPAR. However, in the case of some automotive accessories and specific applications for 2 and 3 wheeled vehicles the PTS is widely used and very suitable. Please contact your local representative to discuss your application and the best switch solution.

Description

TS-1123 series is compact size tactile switch designed for high-end consumer and medical devices. There is a need to get smaller and reliable switches for designs that has limited PCB space. TS-1123 is an important addition to the portfolio. The switch is ideal for applications such as sports watch, hearing aids, as well as the latest IoT portable device.

Features & Benefits

- 6 x 3.5 x 3.0 mm package
- Height 1.4 mm above PCB (edge mount)
- Side actuation
- SMT termination with or without L-shape shield
- Hard & soft actuator options
- 160 & 260 gf versions
- Lifecycles100K

Applications

- Mobile headphone/ Headset
- Health monitoring
- Sports watch
- Black box
- Bluetooth accessory

